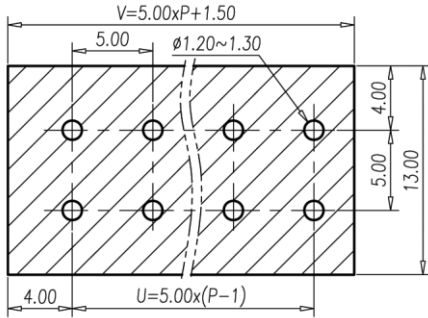
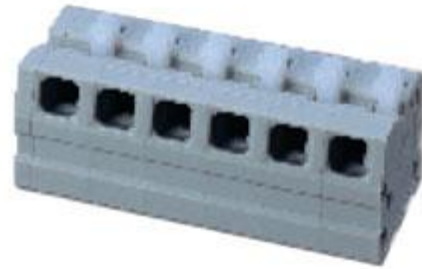
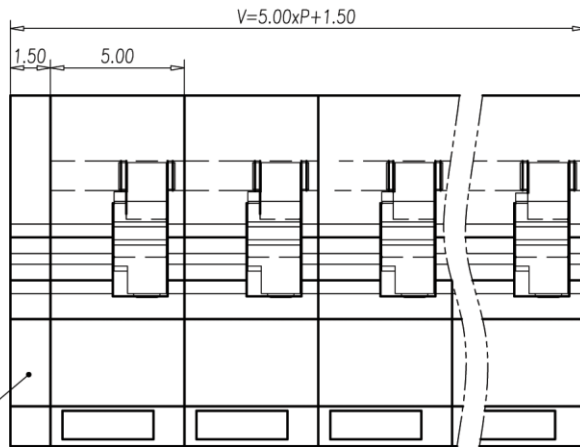


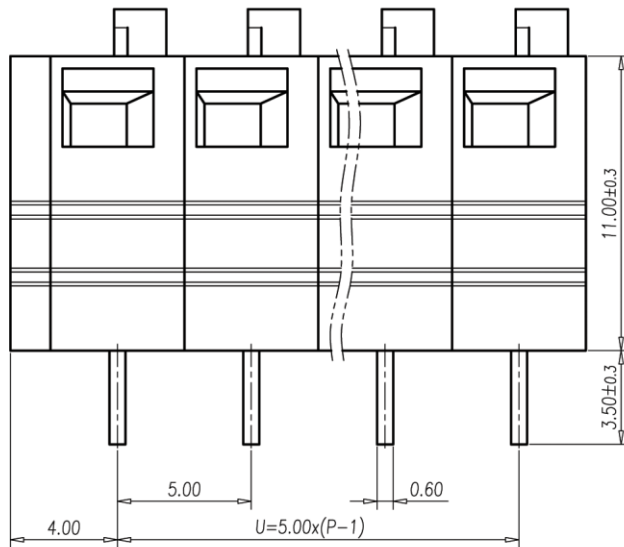
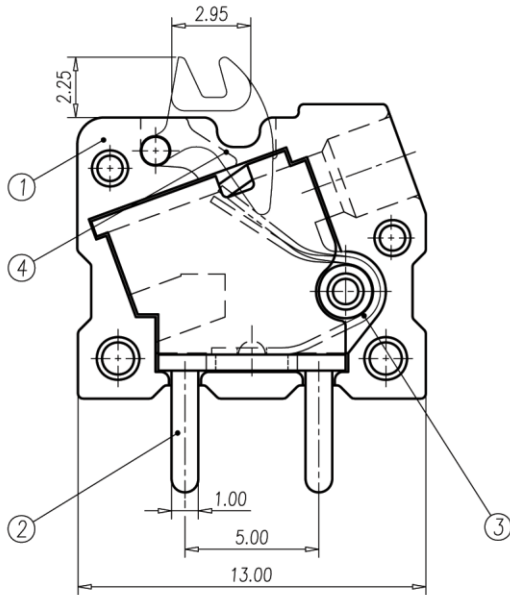
# Product Drawing



PCB LAYOUT



⑤



<b>Page:</b>	<b>1</b>	<b>Date:</b>	<b>2011-01-19</b>	<b>Description:</b>	<b>Standard Outline Drawing</b>
<b>of:</b>	<b>1</b>	<b>Revision:</b>	<b>1.0</b>	<b>P/N</b>	<b>VNS13710-5.0</b>