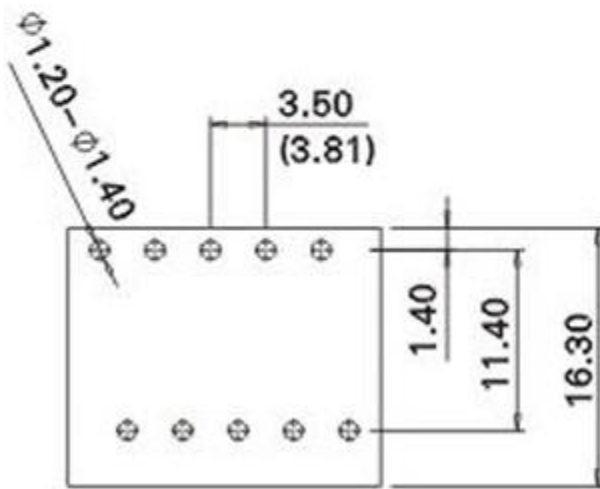
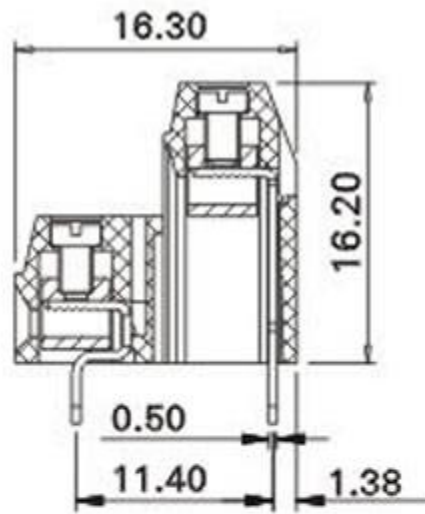
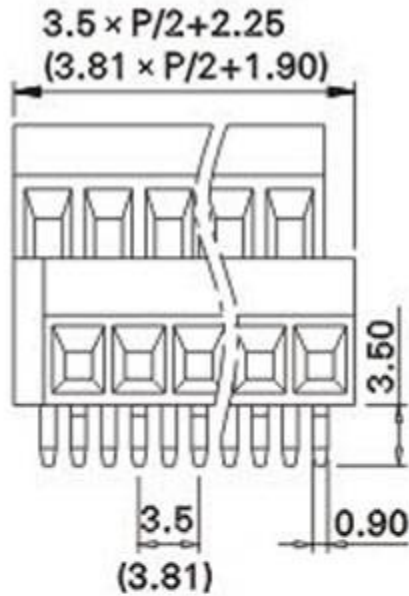


Product Drawing



		Description:		Standard Outline Drawing	
Page:	1	Date:	2011-01-04	P/N	VCCD001-3.5 VCCD001-3.81
of:	1	Revision:	1.0		