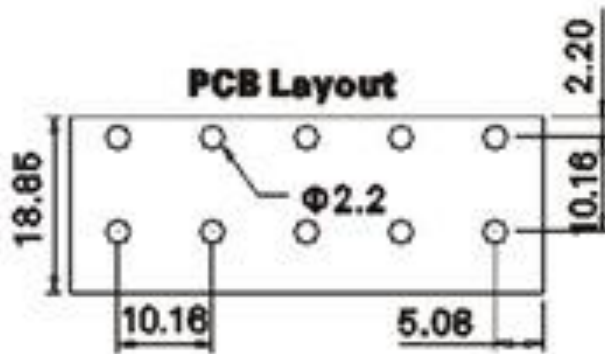
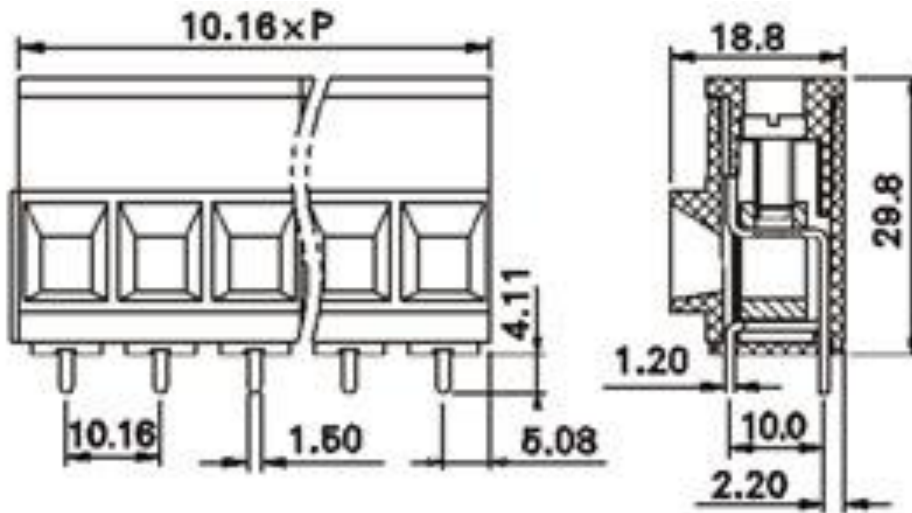


Product Drawing



Page:	1	Date:	2011-01-03	Description:	Standard Outline Drawing
of:	1	Revision:	1.0	P/N	VCC800V-10.16