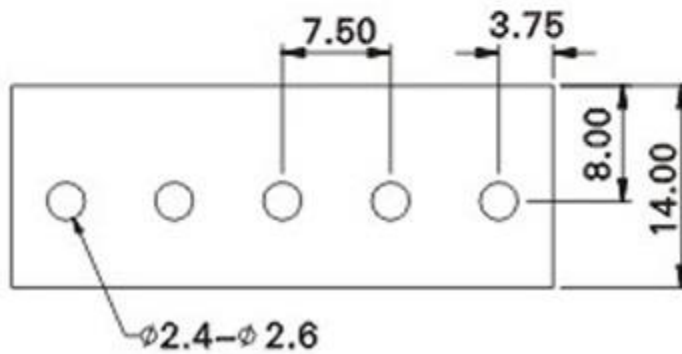
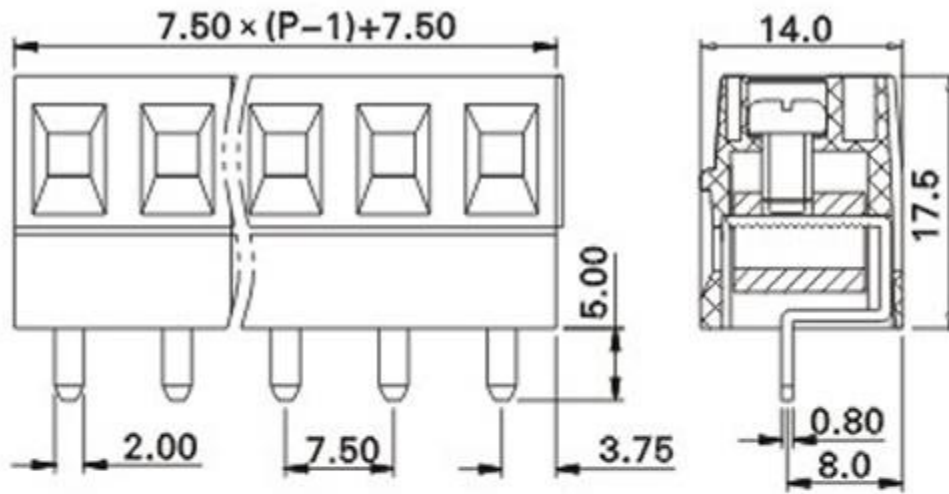


# Product Drawing



|         |  |                  |  |              |                          |
|---------|--|------------------|--|--------------|--------------------------|
| Page: 1 |  | Date: 2011-01-03 |  | Description: | Standard Outline Drawing |
| of: 1   |  | Revision: 1.0    |  |              |                          |