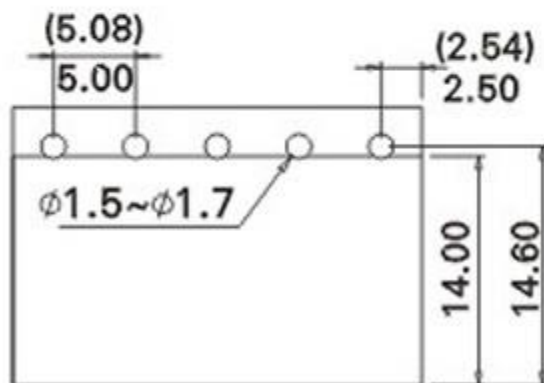
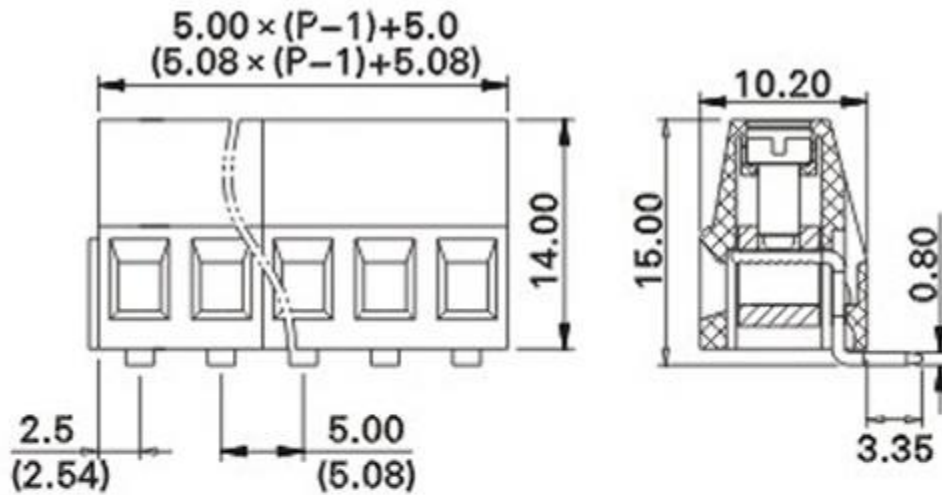


# Product Drawing



				Description:	Standard Outline Drawing
Page:	1	Date:	2011-01-03	P/N	VCC206R-5.0
of:	1	Revision:	1.0		VCC206R-5.08