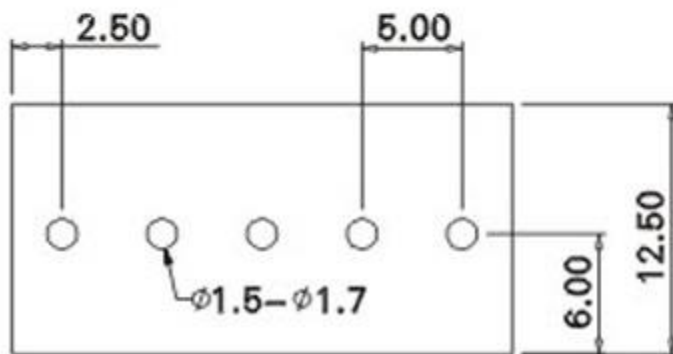
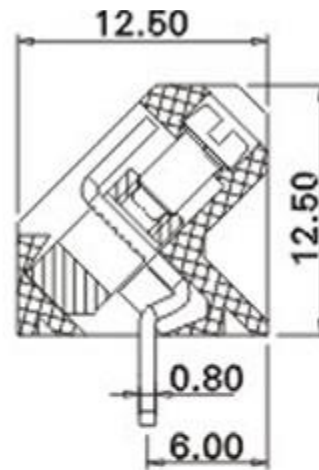
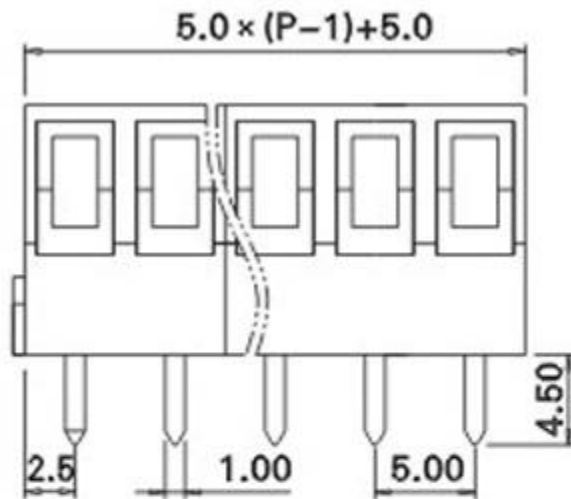


Product Drawing



Page: 1		Date: 2011-01-03		Description:	Standard Outline Drawing
of: 1		Revision: 1.0			