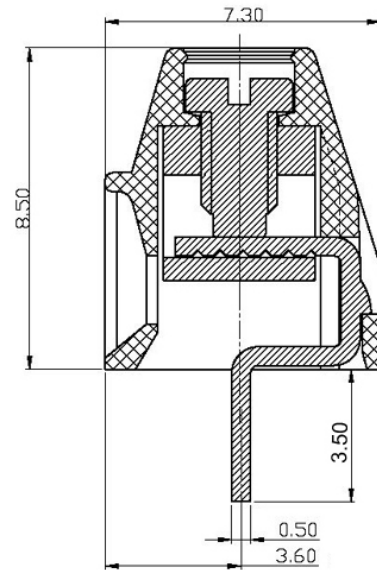
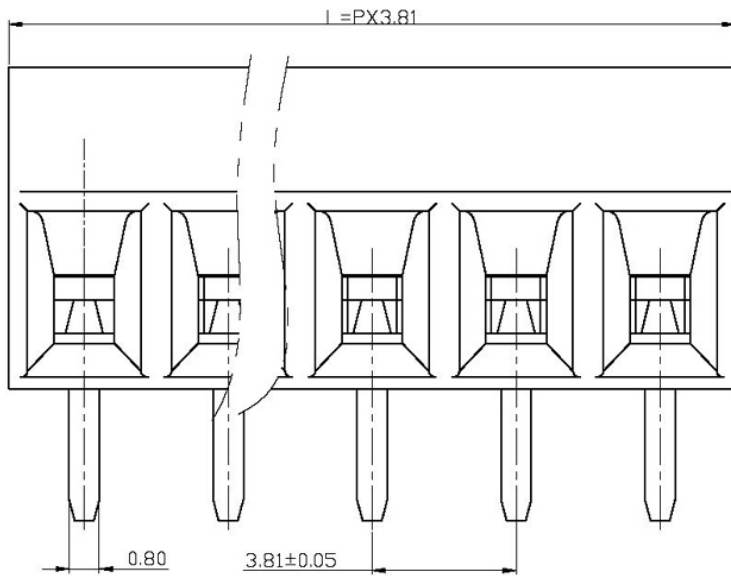
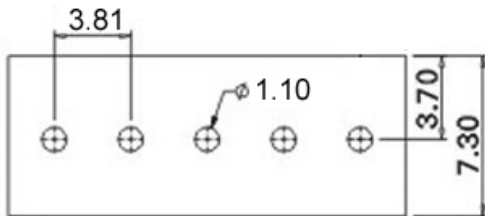


Product Drawing



PCB LAYOUT



		Description:		Standard Outline Drawing	
Page:	1	Date:	2011-01-11	P/N	VCC018V-3.81
of:	1	Revision:	1.0		